



TA3 **TA3S**
TA3H **TA3SH**

Specification

| | |
|--------------------|-------------------|
| Payload | 3000 kg |
| Gross Engine Power | 32.4 kW (43.5 hp) |
| Max Skip Capacity | 1950/1870 Litres |

Features

- Large heaped skip capacities.
- “Rental Tough” designs and fabrications to keep you working in the toughest of conditions.
- Thick steel skip base plate with reinforced box sections for high strength and longevity.
- Exceptional service access and ease of maintenance built into every machine.
- High ground clearance, low centre of gravity for superb stability and site accessibility.
- Powerful, reliable and economical Kubota engines.
- Power Tip (TA3 / TA3H) for forwards tip applications. Power Swivel (TA3S / TA3SH) enables effective placement of load to either side - useful for trench filling or small sites.

Specifications

Performance

| | TA3 | TA3H | TA3S | TA3SH |
|------------------------------|----------------------------|---------------------------------|----------------------------|---------------------------------|
| Payload (kg) | 3000 | 3000 | 3000 | 3000 |
| Unladen Weight (kg) | 2260 | 2320 | 2550 | 2620 |
| Skip Capacity - Water (ltr) | 1250 | 1250 | 1000 | 1000 |
| - Struck (ltr) | 1600 | 1600 | 1500 | 1500 |
| - Heaped (ltr) | 1950 | 1950 | 1870 | 1870 |
| Engine | Kubota V2203M | | | |
| - Net Power - kW (hp) | 32.4 (43.5) | | | |
| - Displacement | 2197 cc | | | |
| - Maximum Torque | 147 Nm | | | |
| Tyre Size | 11.5/80x15.3x8ply | | | |
| Drive | 3/1 Manual - permanent 4WD | 2/2 Hydrostatic - permanent 4WD | 3/1 Manual - permanent 4WD | 2/2 Hydrostatic - permanent 4WD |
| Max Travel Speed - mph (kph) | 11.8 (19.0) | 11.8 (19.0) | 11.8 (19.0) | 11.8 (19.0) |
| Gradeability | 25 % | 25 % | 25 % | 25 % |
| Fuel Tank Capacity | 37 Litres | 37 Litres | 37 Litres | 37 Litres |
| Hydraulic Tank Capacity | 37 Litres | 37 Litres | 37 Litres | 37 Litres |

Hydraulic System (Gear Pump)

| | TA3 | TA3H | TA3S | TA3SH |
|--------------------|----------|----------|----------|----------|
| Flow rate | 30 l/min | 30 l/min | 30 l/min | 30 l/min |
| Operating Pressure | 172 bar | 172 bar | 172 bar | 172 bar |

Braking System

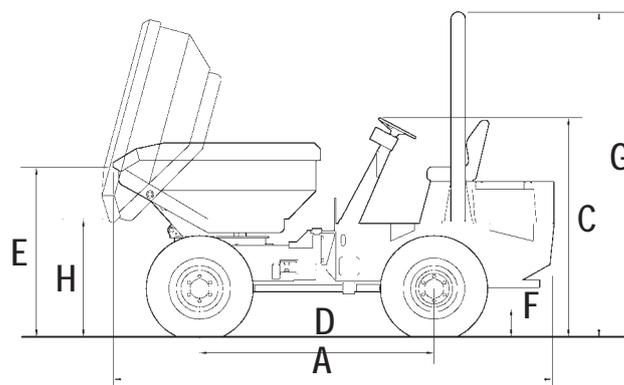
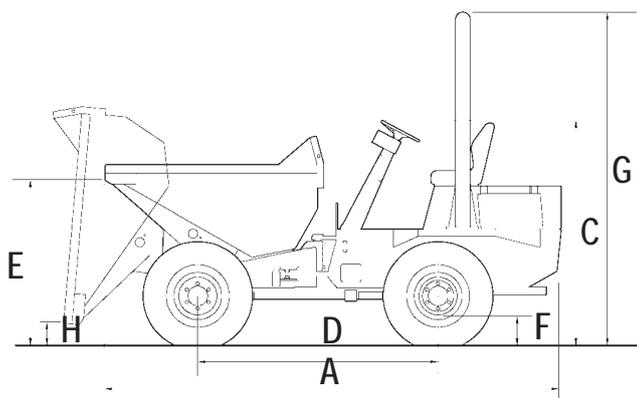
| | TA3 | TA3H | TA3S | TA3SH |
|---------------|---|------|------|-------|
| Working Brake | Oil immersed discs on front axle | | | |
| Parking Brake | Over Centre Handbrake - Oil immersed discs front axle | | | |

Electrical System

| | TA3 | TA3H | TA3S | TA3SH |
|------------|-------|-------|-------|-------|
| Voltage | 12V | 12V | 12V | 12V |
| Battery | 74 Ah | 74 Ah | 74 Ah | 74 Ah |
| Alternator | 55 A | 55 A | 55 A | 55 A |

Dimensions

B = Overall Width (not shown)



Dimensions (mm)

| | | TA3 | TA3H | TA3S | TA3SH |
|---|--|-------------------------|-------------------------|-------------------------|-------------------------|
| A | Total Length | 3700 | 3700 | 3790 | 3790 |
| B | Total Width (not shown) | 1950 | 1950 | 1840 | 1840 |
| C | Height to Top of Steering Wheel | 1860 | 1890 | 1860 | 1890 |
| D | Wheelbase | 1950 | 1950 | 1950 | 1950 |
| E | Height to Front Lip of Skip (untipped) | 1430 | 1460 | 1500 | 1530 |
| F | Ground Clearance (Loaded) | 280 | 242 | 280 | 242 |
| G | Height to Top of ROPS (raised) | 2660 (+200 over Beacon) | 2690 (+200 over Beacon) | 2660 (+200 over Beacon) | 2690 (+200 over Beacon) |
| H | Height to Front Lip of Skip (tipped) | 240 | 270 | 1100 | 1130 |
| | Turning Radius to Outside of Skip | 4350 mm | 4350 mm | 4665 mm | 4665 mm |
| | Steering Angle | ± 30° | ± 30° | ± 30° | ± 30° |
| | Oscillation | ± 10.5° | ± 10.5° | ± 10.5° | ± 10.5° |
| | Tipping Type | Forward | Forward | Swing | Swing |

Standard Equipment & Options

| Standard Equipment |
|--------------------|
| Folding ROPS Frame |
| Reversing Alarm |
| Flashing Beacon |
| Towing Bracket |

| Optional Equipment |
|-------------------------------|
| Site Lights |
| Road Lights (RTA) |
| Rear View Mirror |
| Turf Tyres (11.5 / 15.3) |
| KOSRAN Anti-theft immobiliser |
| CESAR Datatag Security |
| Leg Guard |

| |
|--------|
| Dealer |
|--------|

Effective Date: 01 December 2009. Product specifications and prices are subject to change without notice or obligation. The photographs and/or drawings in this document are for illustrative purposes only. Refer to the appropriate Operator's Manual for instructions on the proper use of this equipment. Failure to follow the appropriate Operator's Manual when using our equipment or to otherwise act irresponsibly may result in serious injury or death. The only warranty applicable to our equipment is the standard written warranty applicable to the particular product and sale and Terex makes no other warranty, express or implied. Products and services listed may be trademarks, service marks or trade-names of Terex Corporation and/or its subsidiaries in the USA and other countries. All rights are reserved. Terex® is a registered trademark of Terex Corporation in the USA and many other countries. © 2010 Terex Corporation. ♻️ Printed on material using 55% recycled fibre from both pre and post-consumer sources, together with 45% virgin ECF fibre from sustainable forests. TEREX516UK