

MOROOKA MST 300VD



Specifications

ENGINE Make: Kubota

Model: V2203-M-EU32

4 cylinder, Displacement: 2.2 litre

48 PS / 39.5KW @ 2800 rpm

Electrical system 12 Volts

Fuel Tank capacity: 61 Litres

Bi-Directional seat positions

Machine weight: 2300Kg

Payload: 3000Kg

PERFORMANCE

Travel speed: - Low 0 ~ 6 kph

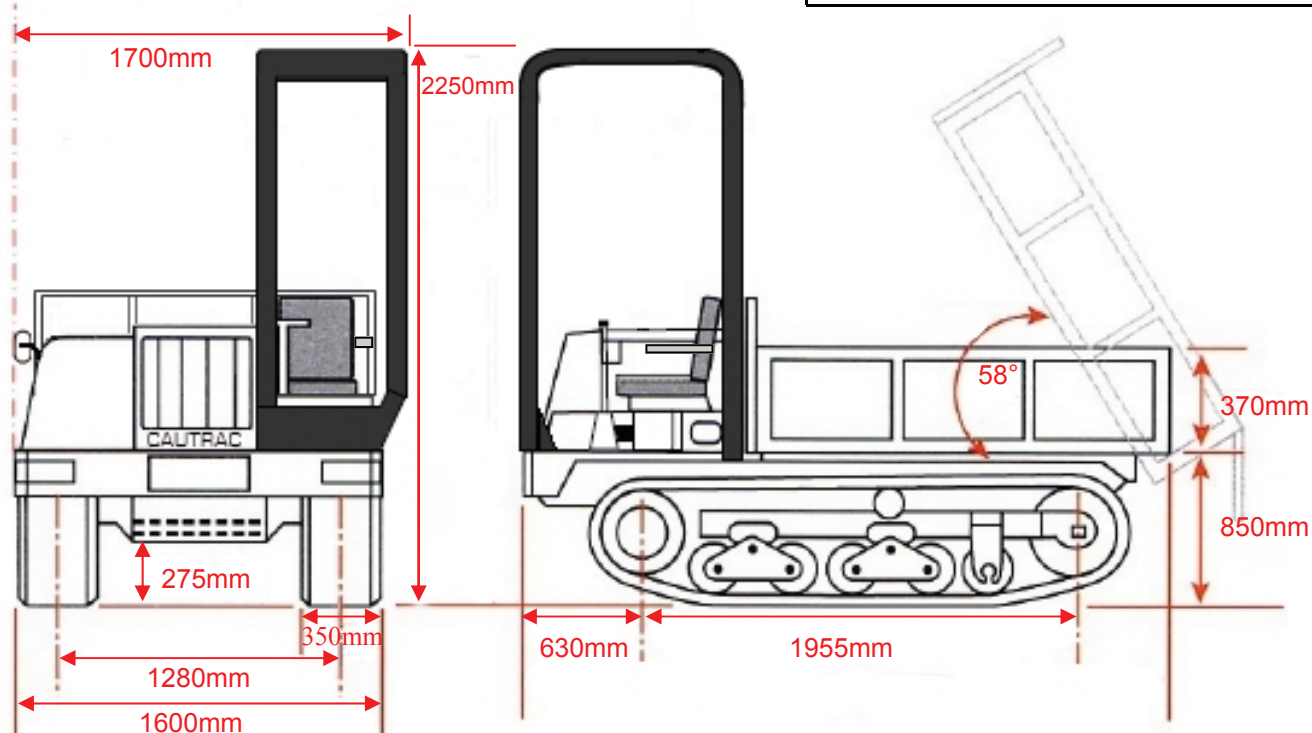
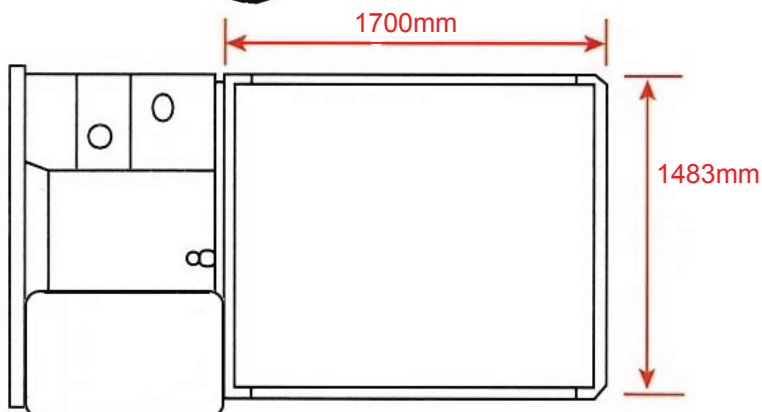
Travel speed: - High 0 ~ 11 kph

Gradeability: (empty) 30 degrees

Ground Pressure empty: 0.16 Kg/cm²

Ground Pressure loaded: 0.32 kg/cm²

Track width: 350mm



Colchester +44 (0)1206 273111



Bolton +44 (0)1204 791122